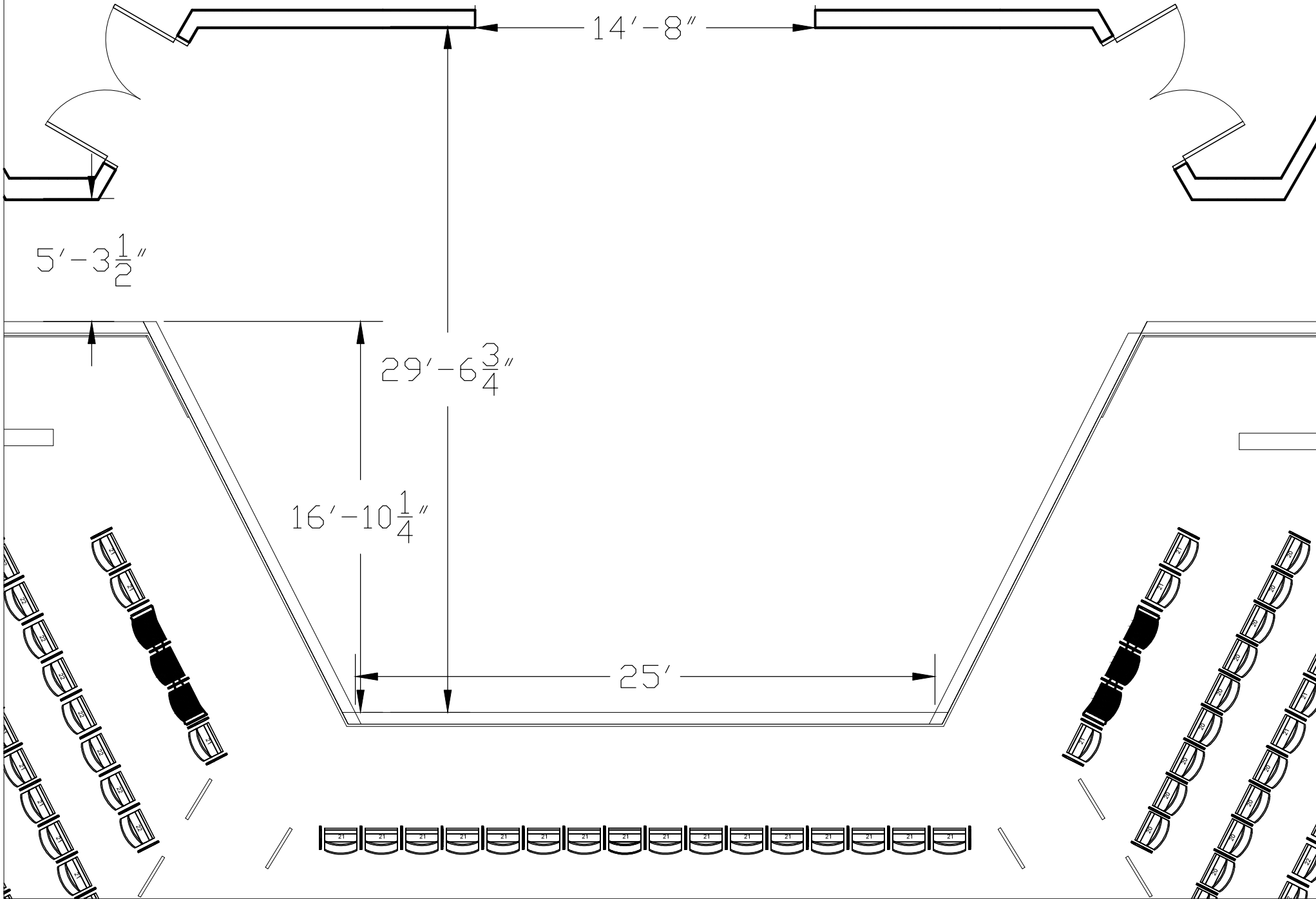
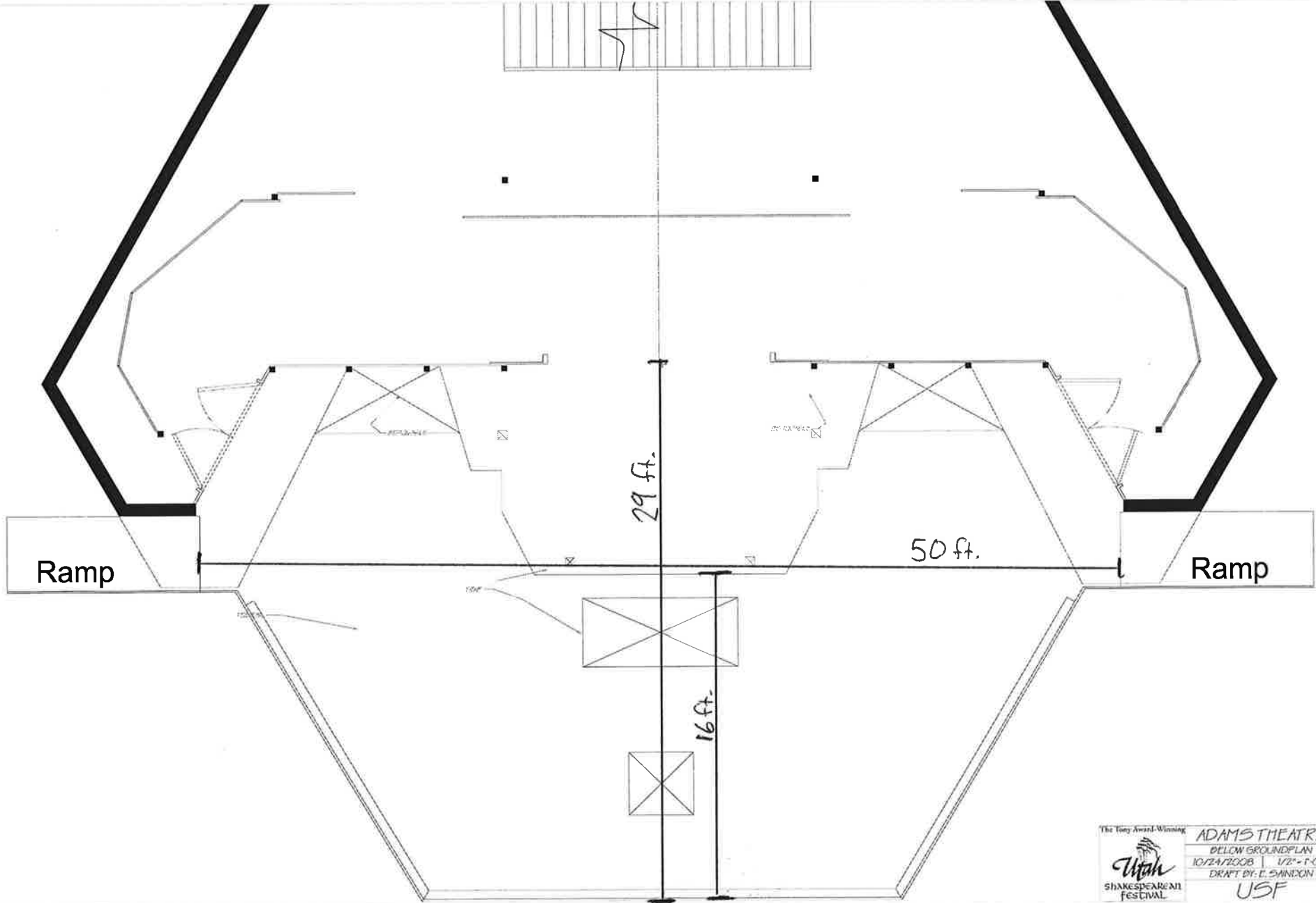



Engelstad Dimensioned Ground Plan (Main Floor)



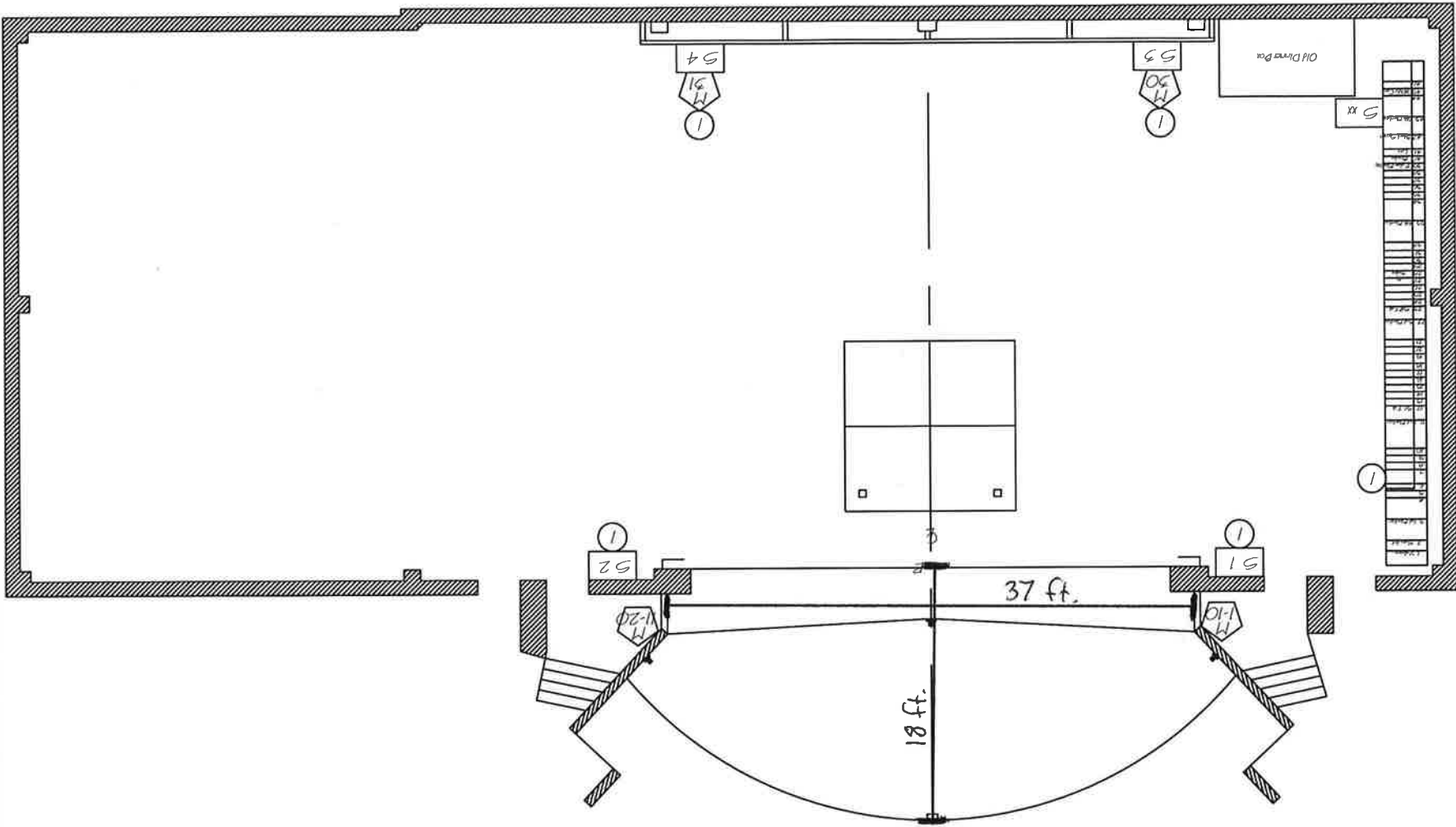


The Tony Award-Winning

 SHAKESPEARE IN
 FESTIVAL

ADAMS THEATRE
 BELOW GROUND PLAN
 10/24/2008 | 1/2" = 1'-0"
 DRAFT BY: E. SHINDON
 USF

PRODUCED BY AN AUTODESK EDUCATIONAL PRODUCT

PRODUCED BY AN AUTODESK EDUCATIONAL PRODUCT



AUDITORIUM	
10/23/2008	3/32" = 1'-0"
DRAFT BY: E. SANDON	
USF	